

## DS-K5671-3XF/ZU Face Recognition Terminal

DS-K5671-3XF/ZU face recognition terminal is a kind of access control device integrated with temperature screening function. It can be installed on and work with turnstile, which can fast take skin-surface temperature and upload abnormal temperature event to the center, so that it can be widely applied in multiple scenarios, such as enterprises, stations, dwellings, factories, schools, campus and so on.



### Available Model

DS-K5671-3XF/ZU

### Features

- Compatible with Hikvision turnstile
- Communicates with the third-party turnstile via IO output or Wiegand
- Supports Vanadium Oxide uncooled sensor to measure target's temperature
- Temperature measuring range: 30 °C to 45 °C (86 °F to 113 °F), accuracy: ± 0.5 °C without black body calibration
- Recognition distance: 0.5 to 1.5 m
- Fast temperature measurement mode: Detects face and takes skin-surface temperature without identity authentication.
- Multiple authentication modes with temperature measure are available
- Face mask wearing alert  
If the recognizing face does not wear a mask, the device will prompt a voice reminder. At the same time, the authentication or attendance is valid.
- Forced mask wearing alert  
If the recognizing face does not wear a mask, the device will prompt a voice reminder. At the same time, the authentication or attendance will be failed.
- Displays temperature measurement results on the authentication page
- Triggers voice prompt when detecting abnormal temperature
- Configurable door status (open/close) when detecting abnormal temperature
- Transmits online and offline temperature information to the client software via TCP/IP communication and saves the data on the client software
- Adjustable supplement light brightness



- High performance processor with deep learning algorithm
  - 50,000 face capacity and 100,000 event capacity
  - Face recognition duration  $\leq 0.2$  s/User; face recognition accuracy rate  $\geq 99\%$
  - Transmits and saves the comparison results and the captured pictures to the client software or others
  - NTP, manually time synchronization, and auto synchronization
  - Watchdog design for protecting the device and ensuring device running properly
  - Supports 6 attendance status, including check in, check out, break in, break out, overtime in, overtime out
  - Audio prompt for authentication result
- \* **Biometric recognition products are not 100% applicable to anti-spoofing environments. If you require a higher security level, use multiple authentication modes**  
**In order to get an accurate temperature, after the device is powered on, you should wait for 90 min to warm the device up.**

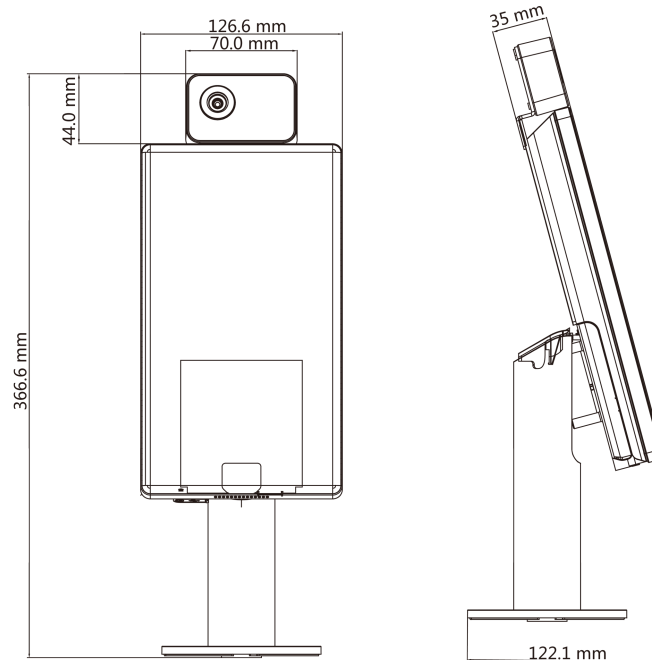
## Specifications

Model		DS-K5671-3XF/ZU
Operation system		Linux
Temperature measurement	Sensor	Vanadium Oxide uncooled sensor
	Resolution	120 × 160
	Frame rate	25 fps
	Temperature range	30 °C to 45 °C (86 °F to 113 °F)
	Temperature accuracy	$\pm 0.5$ °C, without black body calibration
	Measuring distance	0.5 to 1.5 m
Screen	Screen	7-inch touch screen
	Resolution	1024 × 600
Camera		2 MP dual-lens camera
Face	Recognition mode	1:1 and 1:N
	Recognition distance	0.5 to 1.5 m
	Recognition duration	$\leq 0.2$ s
	Face anti-spoofing	Support
Capacity	Face capacity	50,000
	Event capacity	100,000
Communication		TCP/IP, Wi-Fi
Interface		LAN × 1, RS-485 × 1, Wiegand × 1, USB × 2, IO output × 1, IO input × 2, lock × 1, door contact × 1, TAMPER × 1
Other	Audio prompt	Support
	Two-way audio	Support
	Power supply	12 VDC/2 A
	Working humidity	10 to 90% (no condensing)

<b>Model</b>		<b>DS-K5671-3XF/ZU</b>
	<b>Working temperature</b>	0 °C to 50 °C (32 °F to 122 °F) For temperature measurement: 10 °C to 35 °C (50 °F to 95 °F)
	<b>Application environment</b>	Indoor and windless environment use only

\* Exposing the equipment to direct sun light, low ventilation or heat source such as heater or radiator is forbidden (ignorance can cause fire danger).

## Dimensions





Distributed by

**Avda. Cerdanyola, 79-81 Planta 5 Oficina 3 - 08172 Sant Cugat del Vallès (Barcelona) Tlf. + 34 936 222 111****infoweb@innomediaseguridad.com - www.innomediaseguridad.com****HIKVISION®****Headquarters**No.555 Qianmo Road, Binjiang District,  
Hangzhou 310051, China  
T +86-571-8807-5998  
overseasbusiness@hikvision.com**Hikvision USA**  
T +1-909-895-0400  
sales.usa@hikvision.com**Hikvision Australia**  
T +61-2-8599-4233  
salesau@hikvision.com**Hikvision India**  
T +91-22-28469900  
sales@pramahikvision.com**Hikvision Canada**  
T +1-866-200-6690  
sales.canada@hikvision.com**Hikvision Thailand**  
T +662-275-9949  
sales.thailand@hikvision.com**Hikvision Europe**  
T +31-23-5542770  
sales.eu@hikvision.com**Hikvision Italy**  
T +39-0438-6902  
info.it@hikvision.com**Hikvision Brazil**  
T +55 11 3318-0050  
Latam.support@hikvision.com**Hikvision Turkey**  
T +90 (216)521 7070- 7074  
sales.tr@hikvision.com**Hikvision Malaysia**  
T +601-7652-2413  
sales.my@hikvision.com**Hikvision UK & Ireland**  
T +01628-902140  
sales.uk@hikvision.com**Hikvision South Africa**  
Tel: +27 (10) 0351172  
sale.africa@hikvision.com**Hikvision France**  
T +33(0)1-85-330-450  
info.fr@hikvision.com**Hikvision Kazakhstan**  
T +7-727-9730667  
nikia.panfilov@hikvision.ru**Hikvision Vietnam**  
T +84-974270888  
sales.vt@hikvision.com**Hikvision UAE**  
T +971-4-4432090  
salesme@hikvision.com**Hikvision Singapore**  
T +65-6684-4718  
sg@hikvision.com**Hikvision Spain**  
T +34-91-737-16-55  
info.es@hikvision.com**Hikvision Tashkent**  
T +99-87-1238-9438  
uzb@hikvision.ru**Hikvision Hong Kong**  
T +852-2151-1761  
info.hk@hikvision.com**Hikvision Russia**  
T +7-495-669-67-99  
saleru@hikvision.com**Hikvision Korea**  
T +82-(0)31-731-8817  
sales.korea@hikvision.com**Hikvision Poland**  
T +48-22-460-01-50  
info.pl@hikvision.com**Hikvision Indonesia**  
T +62-21-2933759  
Sales.Indonesia@hikvision.com**Hikvision Colombia**  
sales.colombia@hikvision.com